

WELCOME TO LABELTAC® - LET'S START LABELING

1 | UNBOX & CHECK CONTENTS

Included Accessories



Software CD



USB Cable



Power Cable

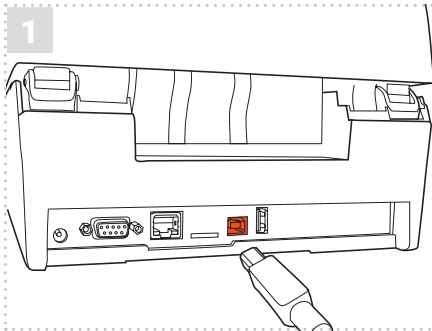


Cleaning Swabs (2)

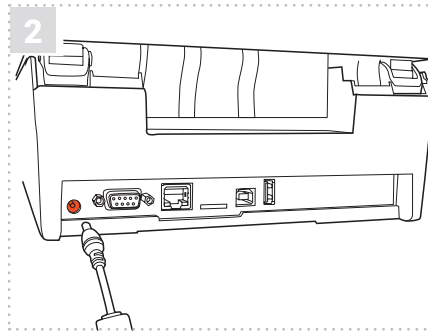


Label Squeegee

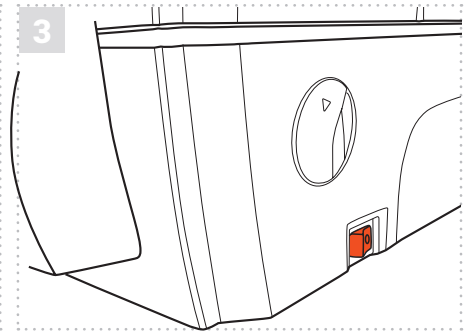
2 | CONNECT



Insert the USB cable to the back of your printer and plug the other end into a USB port on your computer.



Connect the the two halves of the power cable and plug into the power jack socket. Plug the other end into an electrical outlet.



Power on your printer.

Note: It is important that your LabelTac® printer is powered on before installing software.

3 | INSTALL SOFTWARE



Option 1: Install from CD

Put the included CD in your computer's CD drive and follow the prompts on your screen to install the software.



Option 2: Digital download

Head to the LabelTac® support page, select your printer model, and download the driver for your printer.

↓ labeltac.com/support

DOWNLOAD THE USER MANUAL

The full LabelTac® Pro X User Manual can be downloaded online at ↓ labeltac.com/manuals

SUPPORT

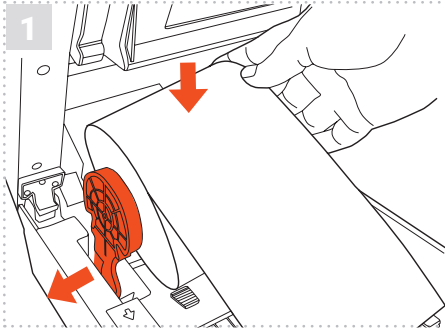
Your LabelTac® printer includes a free, full lifetime warranty on all parts and labor and unlimited support by phone, email or live chat.

Online Support labeltac.com/support

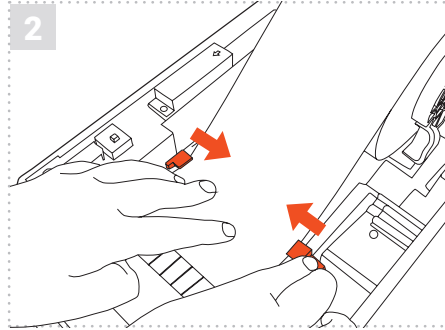
Support by phone 1-877-356-6584

Support by email support@labeltac.com

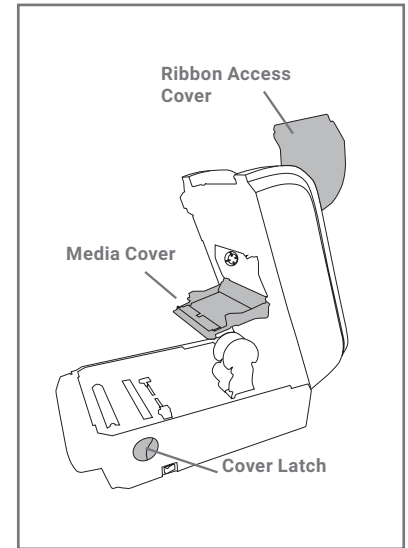
HOW TO | LOAD LABEL SUPPLY



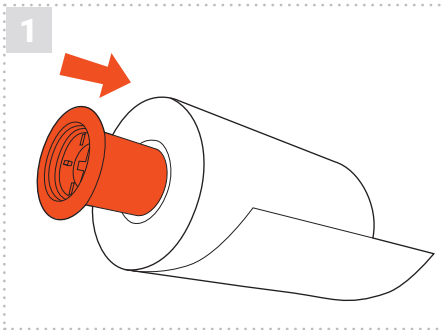
Open the printer using the two cover latches. Spread the supply holders apart by sliding the arms. Both arms will separate evenly. Insert the roll of supply as shown. The holders will close to retain the roll.



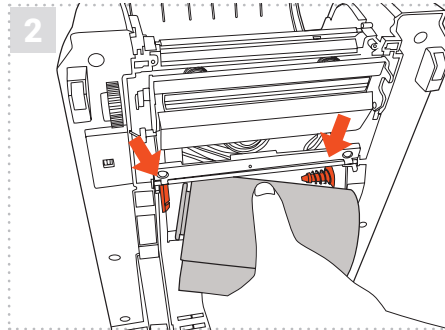
Route the supply under the supply guides. Adjust the guides by sliding back or forth as needed to keep the supply centered. Continue routing the supply over the black platen roller. The end of the supply should stick out a little at the front of the printer.



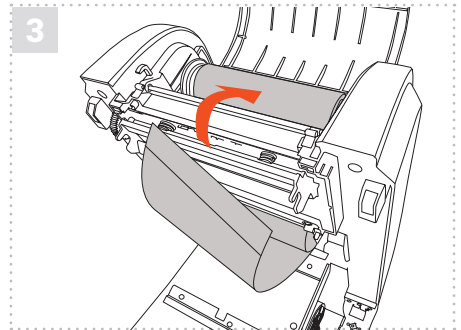
HOW TO | LOAD PRINT RIBBON



Your printer holds ribbon in place using two black plastic cores. Insert one plastic core into your print ribbon, and the other into the blank core included in the ribbon box.



Open the printer. Then open the ribbon access cover and media cover. Insert the ribbon into the rear ribbon hub by pressing the right side of the ribbon into the spring loaded holder. The left side of the roll goes onto the yellow hub.



Now insert the blank core into the upper ribbon hub in the same fashion. Pull the end of the ribbon down through the printer and up and over the blank core. New rolls have an adhesive edge to attach to the blank core, otherwise use tape. Wind the core up until the ribbon is tight.

Check out videos on loading supplies and learn some helpful label making tips on our YouTube channel

 youtube.com/labeltac

Need some more help with your printer?

 labeltac.com/support

 1-877-356-6584