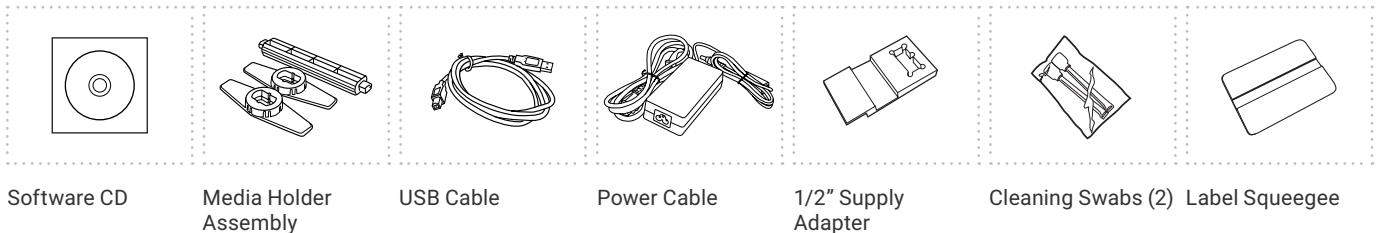


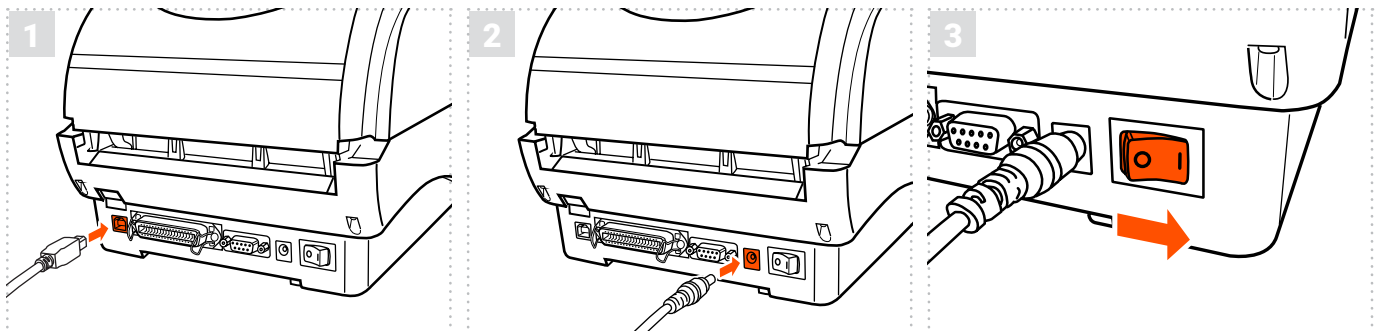
WELCOME TO LABELTAC® - LET'S START LABELING

1 | UNBOX & CHECK CONTENTS

Included Accessories



2 | CONNECT



Connect the USB cable to the back of your printer and plug the other end into a USB port on your computer.

Connect the the two halves of the power cable and plug into the power jack socket. Plug the other end into a power outlet.

Power on your printer.

Note: It is important that your LabelTac® printer is powered on before installing software.

3 | INSTALL SOFTWARE



Option 1: Install from CD

Put the included CD in your computer's CD drive and follow the prompts on your screen to install the software.



Option 2: Digital download

Head to the LabelTac® support page, select your printer model, and download the driver for your printer.

↓ labeltac.com/support

DOWNLOAD THE USER MANUAL

The full LabelTac® 4 Pro User Manual can be downloaded online at ↓ labeltac.com/manuals

SUPPORT

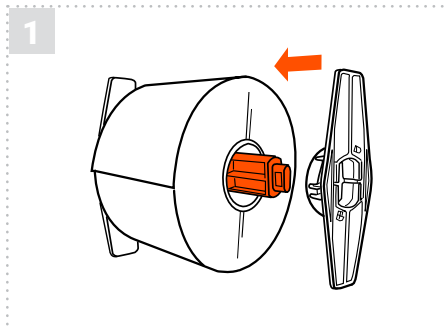
Your LabelTac® printer includes a free, full lifetime warranty on all parts and labor and unlimited support by phone, email or live chat.

Online Support labeltac.com/support

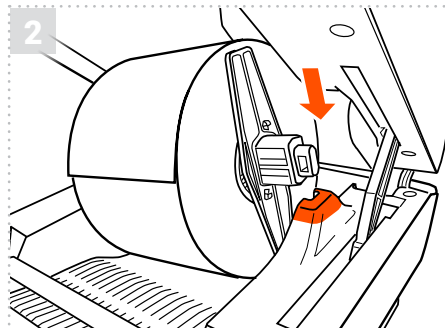
Support by phone 1-877-356-6584

Support by email support@labeltac.com

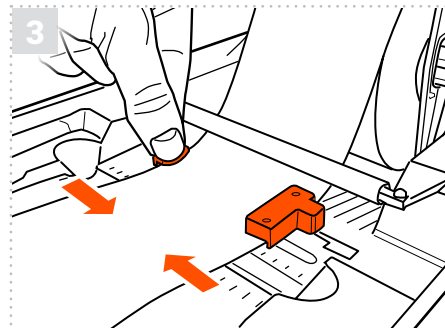
HOW TO | LOAD LABEL SUPPLY



Insert the green media holder bar into the core of the supply roll. Then attach the alignment plates to both sides of the roll. Make sure to center the roll on the media holder assembly.

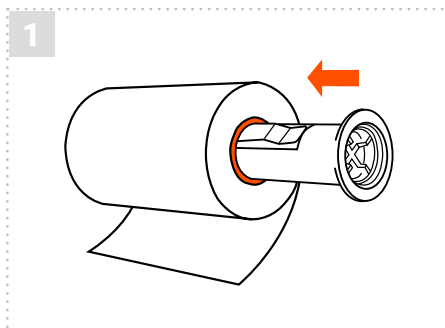


Open the printer by pulling the blue tabs on the sides forward. Set the media holder/roll of supply into the back of the printer so the assembly fits into the grooves. The end of the roll should be on top.

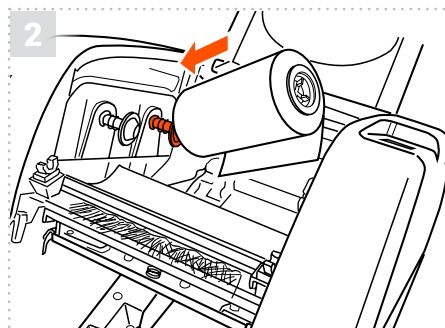


Open the vinyl guides all the way, feed the vinyl under the white bar, through the two guides, and across the black rubber bar on the front of the printer. Then adjust the media guides to fit the vinyl.

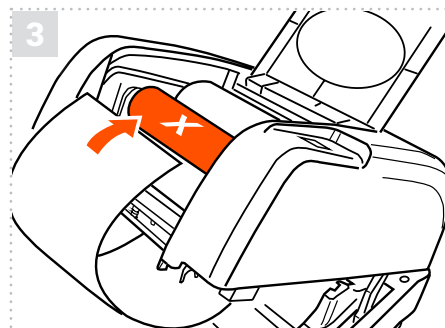
HOW TO | LOAD PRINT RIBBON



Your printer holds ribbon in place using two black plastic cores. Insert one plastic core into your print ribbon, and the other into the blank core that came in the ribbon box.



Open the printer by pulling the blue tabs. Then open the clear door on the top of the printer by pressing down and lifting up. Insert the ribbon into the rear ribbon hub by pressing the left side of the ribbon into the left spring. Then fit the ribbon into place.



Now insert the blank core into the front ribbon hub in the same fashion. Pull the end of the ribbon down through the printer and up and over the blank core. Tape the end of the ribbon to the core and wind the core up until the ribbon is tight.

Check out videos on loading supplies and learn some helpful label making tips on our YouTube channel

 youtube.com/labeltac

Need some more help with your printer?

 labeltac.com/support

 1-877-356-6584