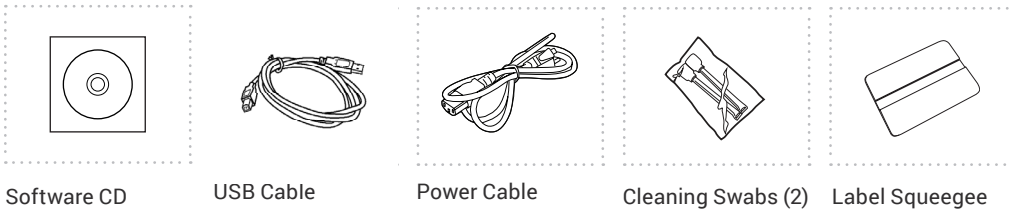


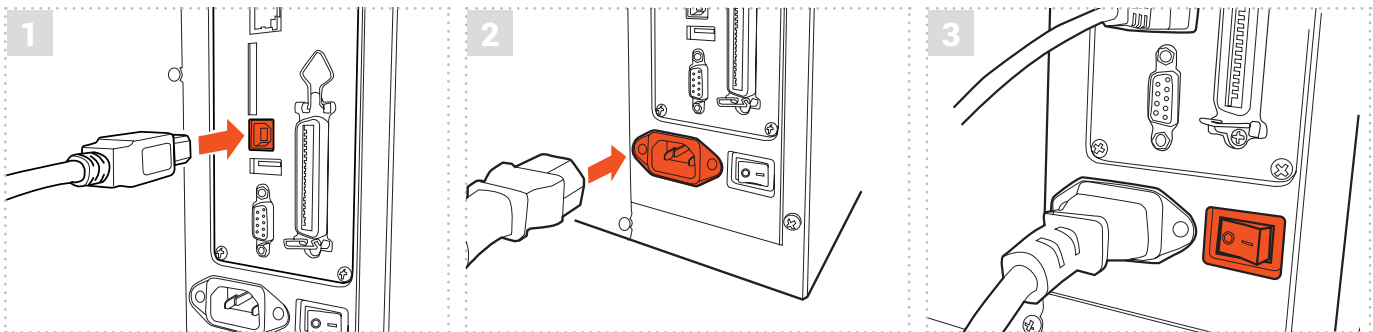
WELCOME TO LABELTAC® - LET'S START LABELING

1 | UNBOX & CHECK CONTENTS

Included Accessories



2 | CONNECT



Connect the USB cable to the back of your printer and plug the other end into a USB port on your computer.

Plug the power cable into the power jack socket. Plug the other end into a power outlet.

Power on your printer.

Note: It is important that your LabelTac® printer is powered on before installing software.

3 | INSTALL SOFTWARE



Option 1: Install from CD

Put the included CD in your computer's CD drive and follow the prompts on your screen to install the software.



Option 2: Digital download

Head to the LabelTac® support page, select your printer model, and download the driver for your printer.

↓ labeltac.com/support

DOWNLOAD THE USER MANUAL

The full LabelTac® 6 User Manual can be downloaded online at ↓ labeltac.com/manuals

SUPPORT

Your LabelTac® printer includes a free, full lifetime warranty on all parts and labor and unlimited support by phone, email or live chat.

Online Support

labeltac.com/support

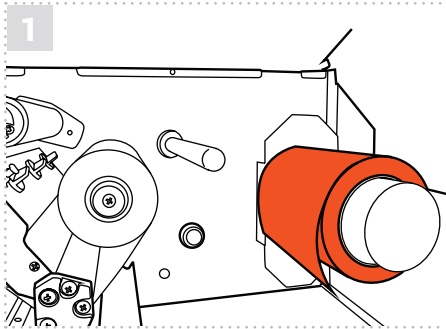
Support by phone

1-877-356-6584

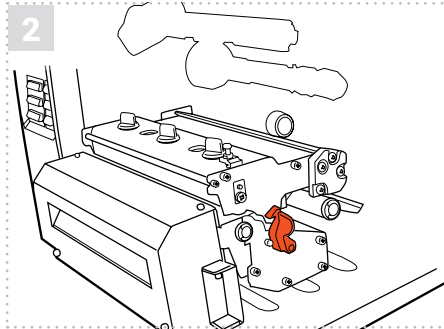
Support by email

support@labeltac.com

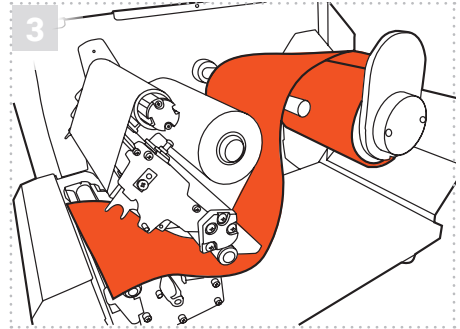
HOW TO | LOAD LABEL SUPPLY



Lift the printer cover. Remove the green media cap from the media supply spindle and place the supply roll on the spindle. Replace the media cap so it sits snugly against the supply.

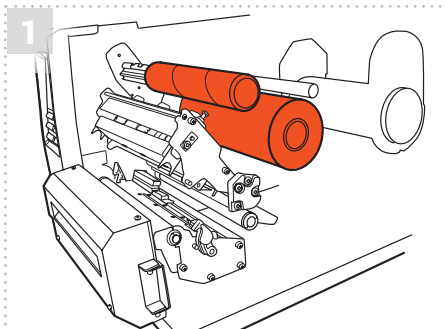


Push the print head release lever to open the print head mechanism.

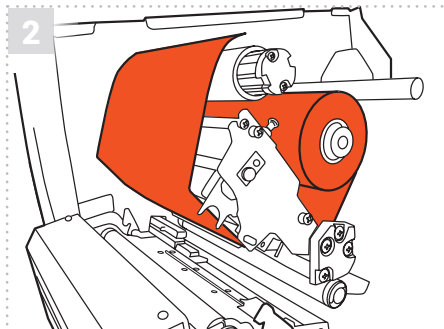


Route the supply over the silver media guide bar, under the spring loaded damper, between the green media alignment guides, and out through the mouth of the printer. Unlock the sliding alignment guide by pressing down and move it so it meets the edge of the supply. Close the print head mechanism (see ribbon instructions) and printer cover.

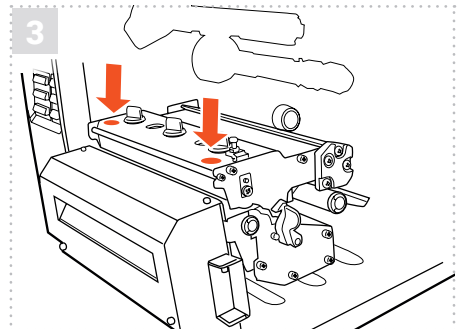
HOW TO | LOAD PRINT RIBBON



Lift the printer cover and print head mechanism (see supply instructions). Insert the ribbon onto the rear ribbon hub and the blank cardboard core onto the front ribbon hub.



Route the ribbon through the ribbon sensor slot and up and over the print head. Tape the end of the ribbon to the blank cardboard core and wind the core up until the ribbon is tight and wrinkle free.



Close the print head mechanism by pressing down on both sides, making sure the latches are engaged properly. Then close the printer cover.

Check out videos on loading supplies and learn some helpful label making tips on our YouTube channel

 youtube.com/labeltac

Need some more help with your printer?

 labeltac.com/support

 1-877-356-6584