

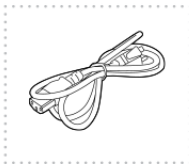
WELCOME TO LABELTAC® - LET'S START LABELING

1 | UNBOX & CHECK CONTENTS

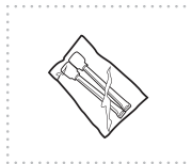
Included Accessories



USB Cable



Power Cable



Cleaning Swabs (2)

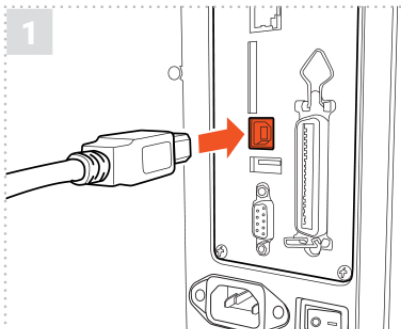
EVERY LABELTAC® PRINTER COMES WITH:

- ✔ Lifetime Warranty
- ✔ Lifetime Support
- ✔ Free Initial Set-Up

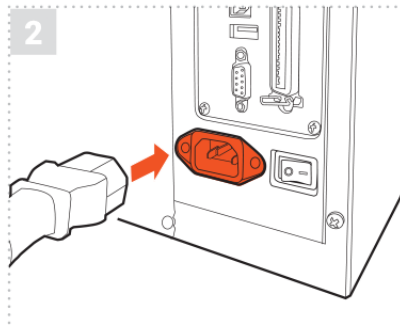


1-877-356-6584

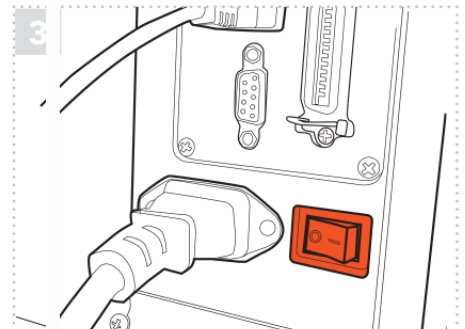
2 | CONNECT



Connect the USB cable to the back of your printer and plug the other end into a USB port on your computer.



Plug the power cable into the power jack socket. Plug the other end into a power outlet.



Power on your printer.

Not : It is important that your LabelTac® printer is powered on before installing software.

3 | INSTALL SOFTWARE



Head to the LabelTac® support page, select your printer model, and download the driver for your printer.

↓ labeltac.com/support



OR - you can use this QR Code to access the support page for the printer driver and other useful documentation for your LabelTac® 9 printer.

DOWNLOAD THE USER MANUAL

The full LabelTac® 9 User Manual can be downloaded online at ↓ labeltac.com/manuals

SUPPORT

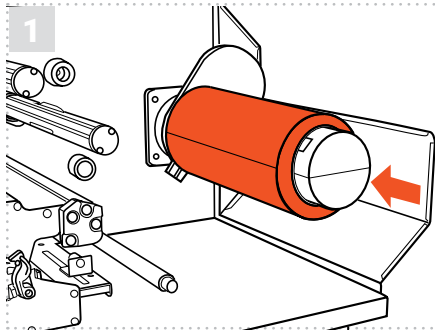
Your LabelTac® printer includes a free, full lifetime warranty on all parts and labor and unlimited support by phone, email or live chat.

Online Support labeltac.com/support

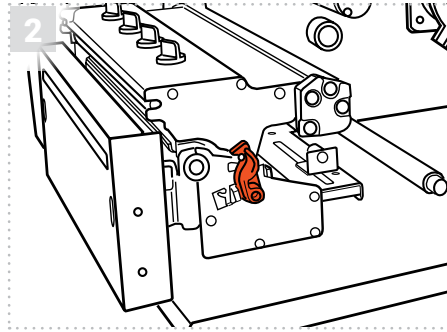
Support by phone **1-877-356-6584**

Support by email support@labeltac.com

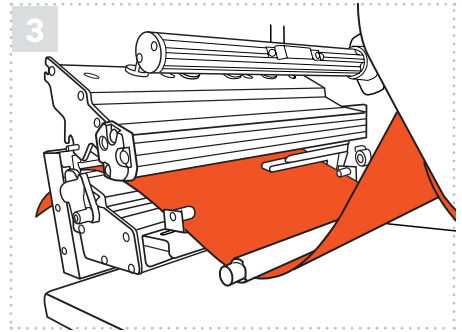
HOW TO | LOAD LABEL SUPPLY



1 Lift the printer cover. Remove the media cap from the media supply spindle. Place the roll of supply on the spindle with the end of the roll coming up and over the top. Replace the media cap and center the roll.

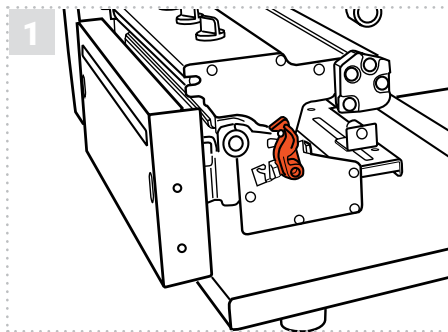


2 Push the print head release lever to open the print head mechanism.

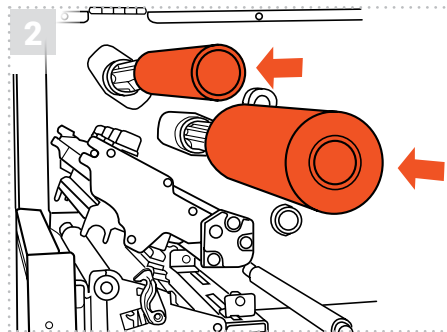


3 Guide the end of the supply under the media guide bar, between the label guides, through the green media sensor, and out through the mouth of the printer. Adjust the label guides to fit the supply width.

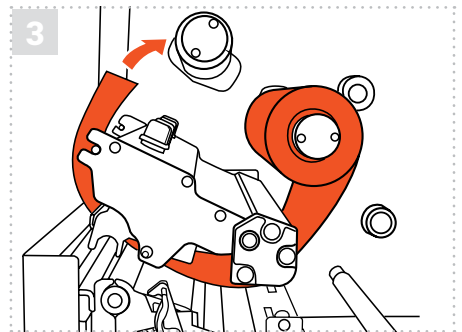
HOW TO | LOAD PRINT RIBBON



1 Lift the printer cover. Push the print head release lever to open the print head mechanism.



2 Insert the ribbon onto the rear ribbon hub and the blank cardboard core onto the front ribbon hub.



3 Thread the ribbon through the ribbon sensor slot and up and over the print head. Tape the end of the ribbon to the blank cardboard core and wind the core up until the ribbon is tight and wrinkle-free.

Check out videos on loading supplies and learn some helpful label making tips on our YouTube channel

 youtube.com/labeltac

Need some more help with your printer?

 labeltac.com/support

 1-877-356-6584